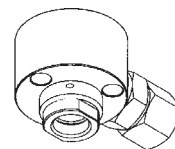




Technical Data Sheet TC9812

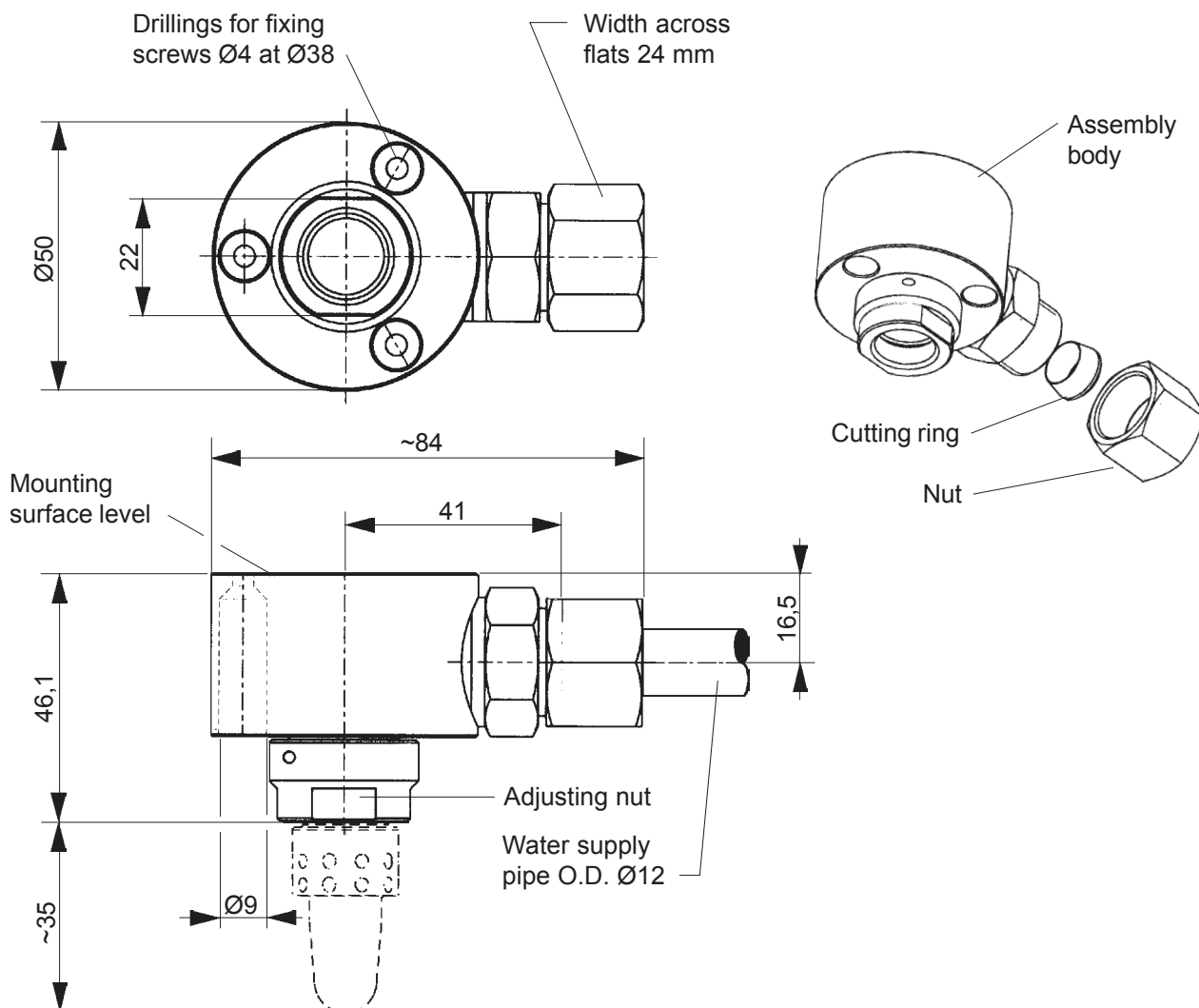
Assembly Body Set A2000 N 4B S00 D12S 10



Stock code C44088

04 Jun 2004

Adjustable Sprinkler Assembly Body Set for HI-FOG 2000 Sprinklers



General	Body material	Brass
	Body finish	Nickel
	Mass	0,53 kg
Installation	Location	Ceiling or wall
	Projection	Pendent or horizontal
Other features	Adjustable sprinkler mounting, 360° turnable around the center line.	
<p>Sprinkler position adjusting: screw the sprinkler into the assembly body and before final tightening, check that the sprinkler nozzles are heading to right direction. It is recommended to use Marioff tool M12040 to hold sprinkler in position and then tighten the adjusting nut against the sprinkler using M22 wrench .</p>		

Marioff Marioff Corporation Oy, P.O. Box 86, Virnatie 3, FIN-01301 Vantaa, Finland,
tel +358 9 870 851, fax +358 9 8708 5399, e-mail info@marioff.fi, www.hi-fog.com